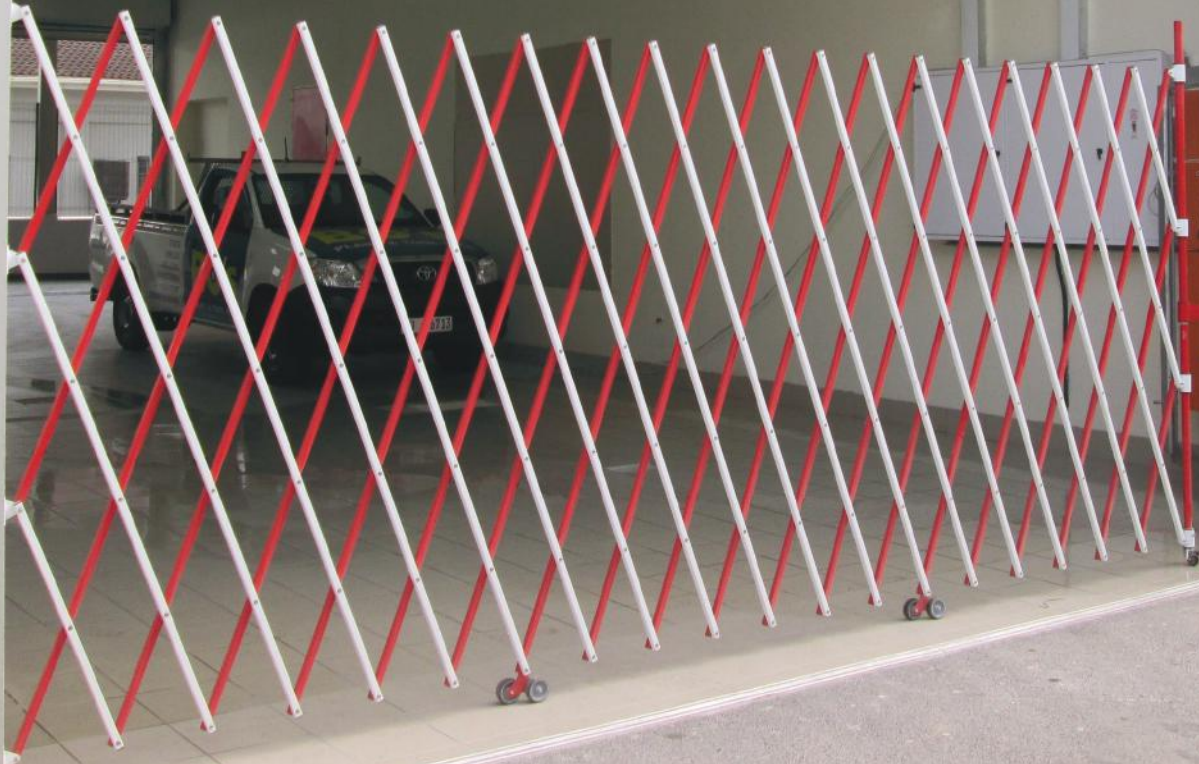


# Xpanda<sup>®</sup>

*Real Security*



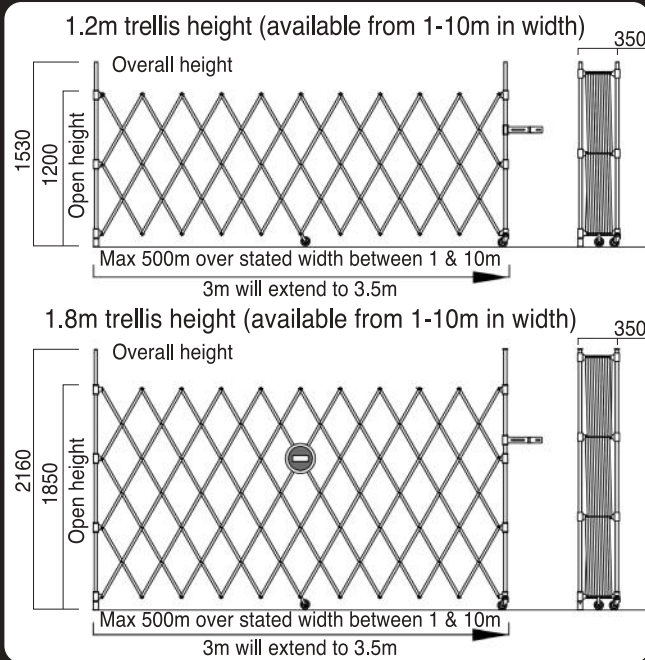
**Xpanding Barrier<sup>®</sup>**

**Complete solution to access control**

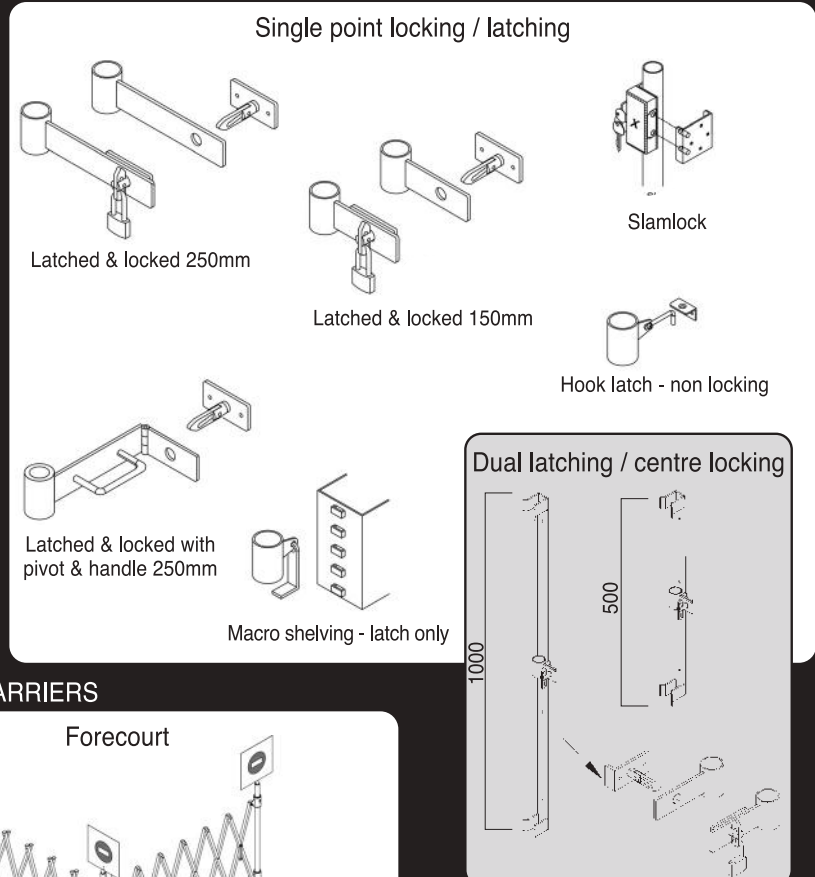


# Xpanding Barrier®

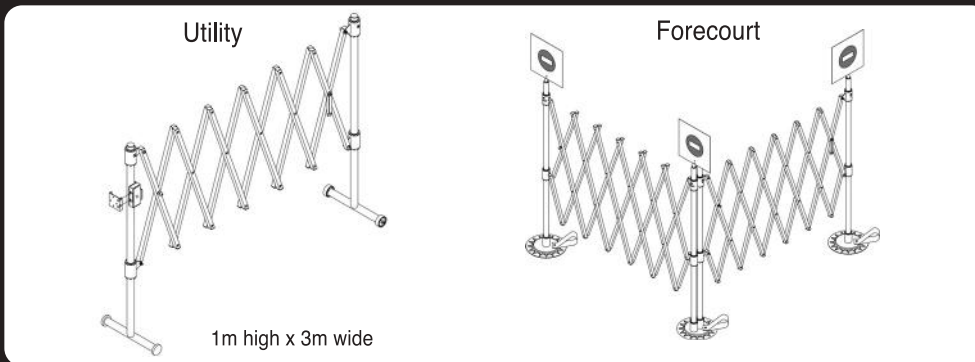
## DIFFERENT HEIGHTS



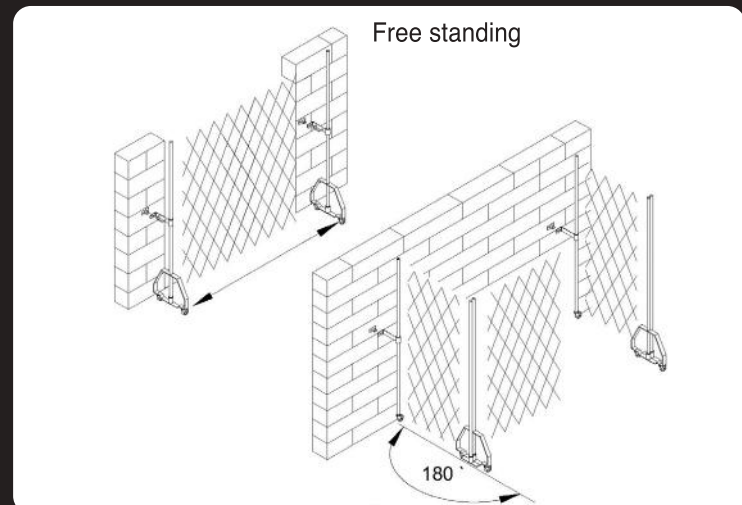
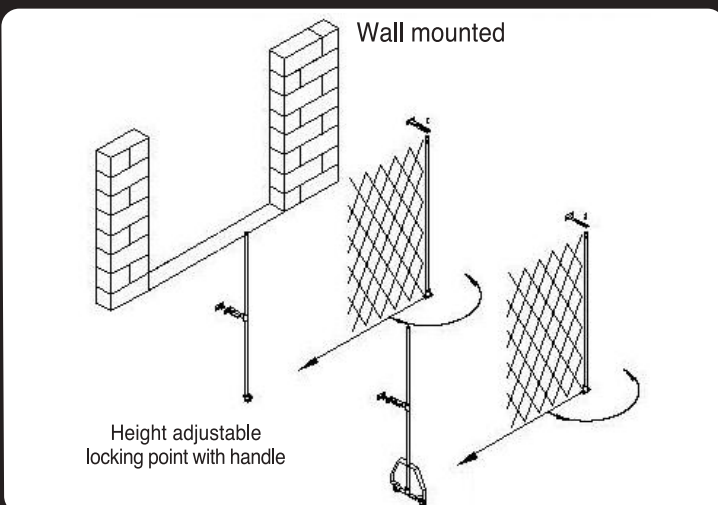
## LOCKING / LATCHING OPTIONS



## TYPES OF XPANDING BARRIERS



## XPANDING BARRIER BASE OPTIONS



- ✓ Enhances access control on Roller Shutter Doors, Business Entrances/Exits
- ✓ Promotes Health & Safety in the work place or retail environment when access control is required
- ✓ Light weight aluminium construction for easy maneuverability & easy to store
- ✓ Available in widths from 1-10m & lattice height options of 1.2m & 1.8m
- ✓ Available in high visibility colours - black & yellow; red & white; yellow or any standard colour/s to match
- ✓ Custom applications available

Images are for illustrative purposes only, actual product may vary slightly.



**SABS**  
ISO 9001



011 609 2148  
031 791 0061

0861 XPANDA  
972632  
www.xpanda.com

**Xpanda**®  
Real Security